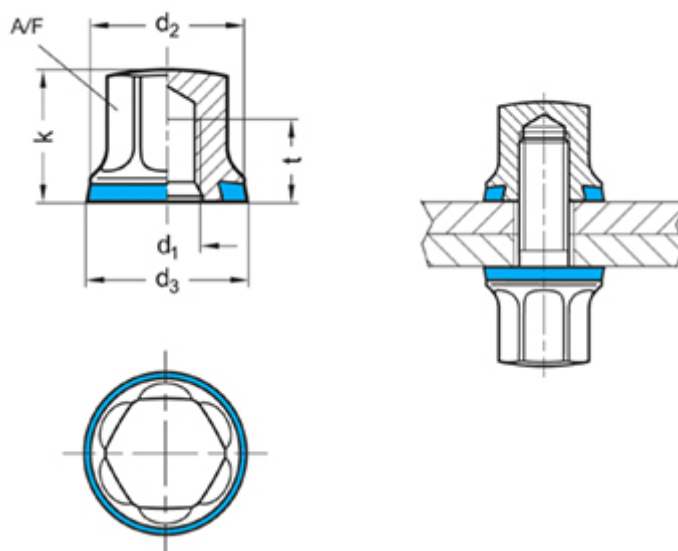


Article number: 201580M6PLE

Description: E+G Nut GN 1580-M6-PL-E
Hygienic design EPDM

Measures



A/F	= 10
d1	= M6
d2	= 14
d3	= 14.8
k	= 12
t min	= 7.5
Weight in (g)	= 6